



Load Flow Software

Power Flow Analysis

The industry-leading solution for performing load flow analysis and voltage drop calculations with proven, accurate, and reliable results.



The unified **electrical** digital twin platform

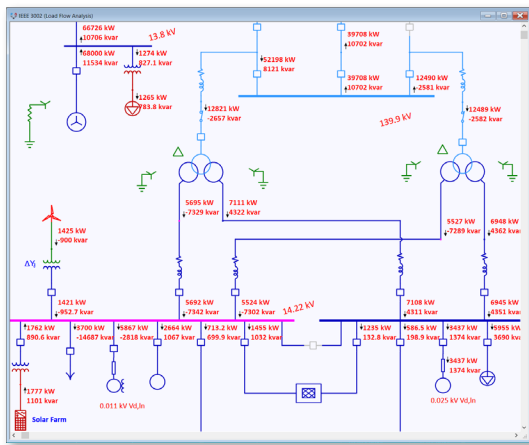
Power Flow Analysis

Industry benchmark for fast and accurate power flow calculations with automated simulation, intuitive interfaces, interactive graphical displays, and smart result analyzers.

Load Flow

Core load flow analysis module for demand evaluation, power flow analysis, losses, power factor correction, and voltage drop calculations.

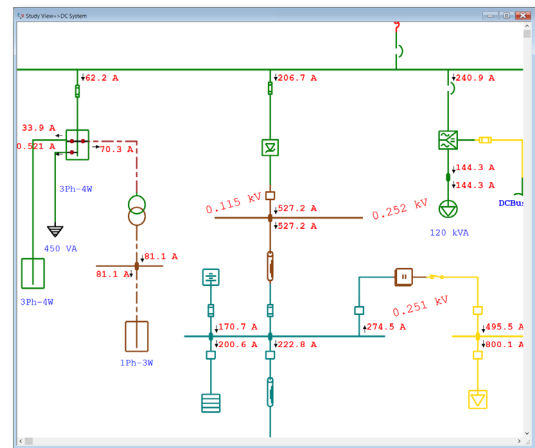
- Automatic equipment evaluation
- Extensive violation alerts & reports
- Load Flow Result Analyzer



DC Load Flow

Robust DC power flow engine for design of the most critical applications.

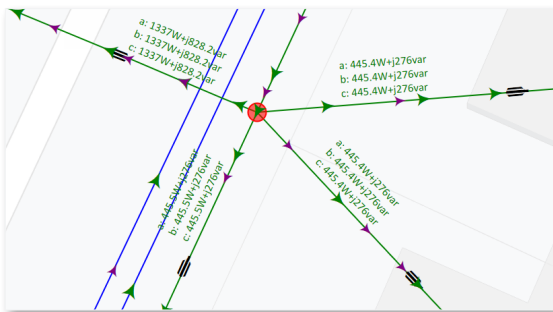
- IEEE 946 Standard
- Battery storage auto-activation
- Rectifier / Charger / UPS modeling & actions



Unbalanced Load Flow

Accurately analyze 1-phase and unbalanced 3-phase, radial and looped electrical systems.

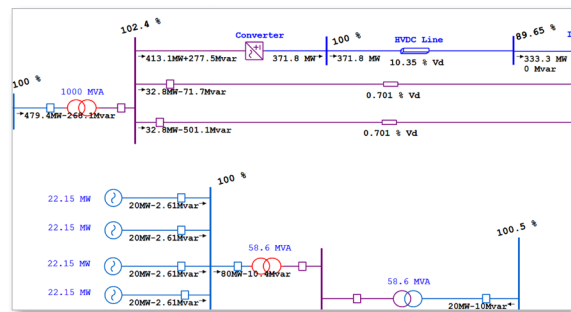
- Result visualization via ETAP GIS map
- Various grounding system types
- Series fault or open-phase condition modeling



Quasi-Dynamic Unified Load Flow

Simultaneous power flow analysis of AC & DC with option for time-varying loading and generation.

- Solar & Wind Farms
- Railways
- Microgrids
- Aircraft & Airports
- Distribution
- Ports & Marine Vessels



+1.800.477.ETAP | +1.949.900.1000 | info@etap.com

etap.com

© 2023 ETAP / Operation Technology, Inc. All rights reserved.
 Certain names and/or logos used in this document may constitute trademarks, service marks, or trade names of Operation Technology, Inc.
 Other brand and product names are trademarks of their respective holders.