

# etap<sup>®</sup> ArcFault<sup>™</sup>

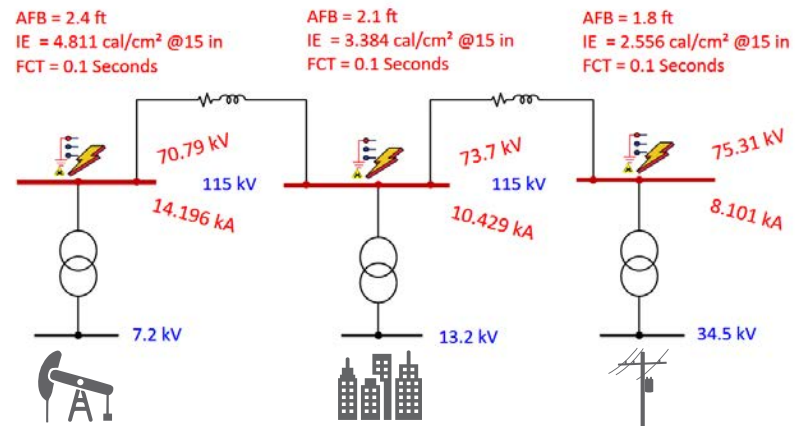
## High Voltage Arc Flash



ETAP ArcFault<sup>™</sup> analysis software is used for performing Arc Flash Analysis for systems from 1 kV to 800 kV in compliance with OSHA's requirements for electric Transmission & Distribution utilities and renewable energy systems. ArcFault specifically calculates arc-in-a-box incident energy from 15 kV to 36 kV.

### Key Features

- Thousands of protective device libraries
- Protective device sequence-of-operation
- Arc Flash Result Analyzer
- Automatically find worst-case incident energy
- Personal protective equipment editor
- Auto-update worst-case results to datablocks
- Verified & validated against industry standards
- ArcFault Calculator for quick *What If* evaluations



### Open-Air Arcing Fault



- Systems from 1 kV to 800 kV
- OSHA 1910.269
- National Electrical Safety Code - NESC
- Model LG, LL, 3-phase arc faults
- Altitude & transient overvoltage correction factors
- Minimum approach clearances
- Customizable equations & coefficients

### Arc Flash in a Box



- Extended arc flash model for Arc-in-a-Box
- Analysis data for enclosed equipment 15 kV to 36 kV
- Typical & user-defined gaps between conductors
- Incident energy reflectivity factors for box size
- Auto-gap, working distance & auto-selection of minimum approach distance
- Designed for renewable energy collector systems

Reduce Risk

Improve Safety

Enforce Compliance

# High Voltage Arc Flash Analysis

Fully integrated with Star™ protective device coordination module, utilizing time-current characteristic (TCC) curves and short circuit calculations for arcing fault hazard evaluation.

## Automatic Arc Fault Duration

- Power distribution & current-limiting fuses
- Differential & distance relays
- Directional & voltage-restrain relays
- Phase, ground & sequence protective devices

## Arc Fault Current

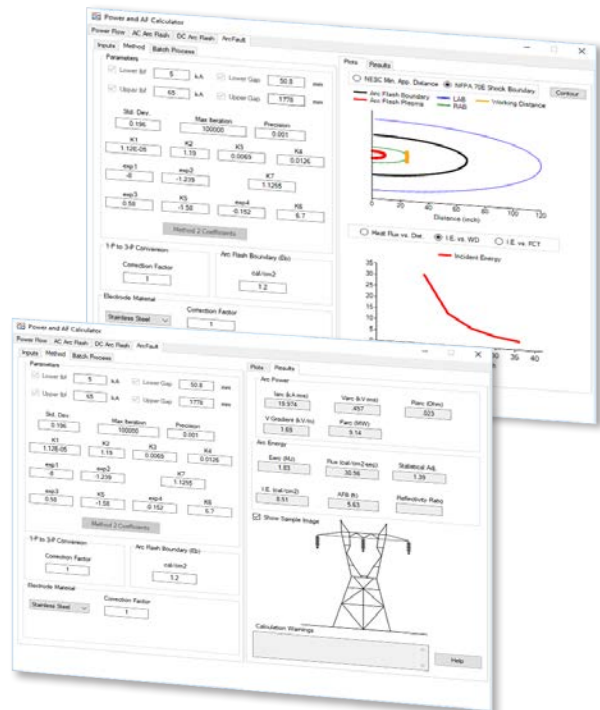
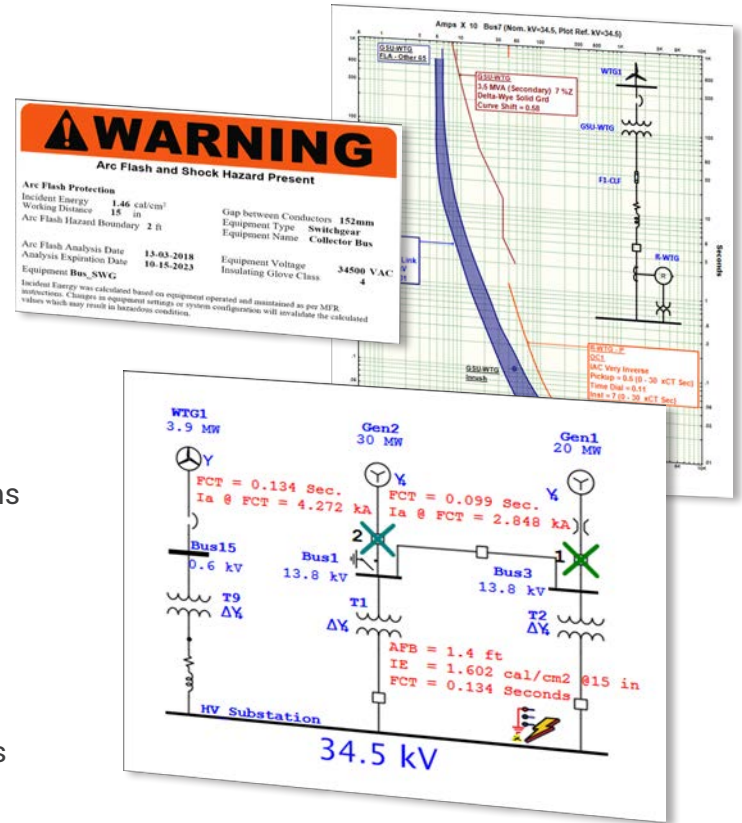
- LG, LL, 3-phase faults
- Phase, ground & sequence fault currents
- Short circuit analysis for renewable energy systems
- Auto-trip using LVRT in WTG & PV Inverters
- Fault impedance & high-resistance path to ground

## Model-Driven Arc Fault Simulations

- Unlimited scenarios to evaluate worst-case results
- Graphical simulation of arc faults
- Model utility, transmission & distribution systems
- Reporting, labeling & data sheets
- Alerting for special arc fault conditions

## ArcFault Calculator

- Quick *What If* scenarios
- Plots for incident energy & heat flux results
- Plots of minimum approach distances per NESC-C2-2017
- User-definable correction factors
- AF Boundary results for incident energy exposures
- Ability to process thousands of calculations with a single-click
- Batch analysis of multiple working distances for each fault location



+1.800.477.ETAP | +1.949.900.1000 | info@etap.com

etap.com